

# MAR 208

## Modular Ice Machine 1850 kg

Item #:
Project:
Quantity:



### FEATURES

- Scale ice machine, in "split system" version; built-in unit. Storage bin not supplied, to be purchased separately.
- To be connected to condensing unit or central cooling system (low temperature).
- AISI304 Stainless steel evaporator and ice scraper blade. Redesigned evaporator compartment end-walls.
- Redesigned evaporator compartment end-walls, electromechanical control panel.
- Electromechanical control panel. Electrical protections, rotation speed & reverse phase controls.
- Low- water sensor protection. Storage bin thermostatic ice level sensor. Drive motor / gear reducer with V-Belt drive.
- Stainless steel panels in scotch-brite finish, with rounded corners, easy to remove for maintenance.
- Supplied w/expansion valve, solenoid valve, pressure regulating valve (KVP), heat exchanger.

### CONDENSING SYSTEM

SPLIT

### REFRIGERANT GAS

R404A  
R452A

### VOLTAGE V/Hz/ph

230/60/1  
400/50/3N

### RECOMMENDED BINS

Head	Bins		kg
MAR 208	●	<b>UBH1600</b>	812
	●	<b>UBH2250</b>	1068
	●	<b>SIS1350</b>	613 + 73 + 73

#### LEGEND:

- ✓ : Perfect combination between ice maker and bin
- : Ice chute cut-out performed upon installation
- CBTxxxxxxxx : need additional bin top



MAR 208  
Scale ice  
Residual water content 2%  
Thickness 1 or 2 mm

### CERTIFICATIONS



### OPERATING REQUIREMENTS

	Minimum	Maximum
Air temperature	10	43
Water temperature	5	38
Water pressure	1 bar (14 psi)	5 bar (70 psi)
Electrical voltage	-10	+10

**IMPORTANT NOTICE:**  
Models and specifications are subject to change without notice.  
This spec sheet is meant for commercial purpose only.  
For technical documentation please refer to our service manuals.

Download our free **App Scotsman Ice**  
Apple store  
Google play  
Windows store



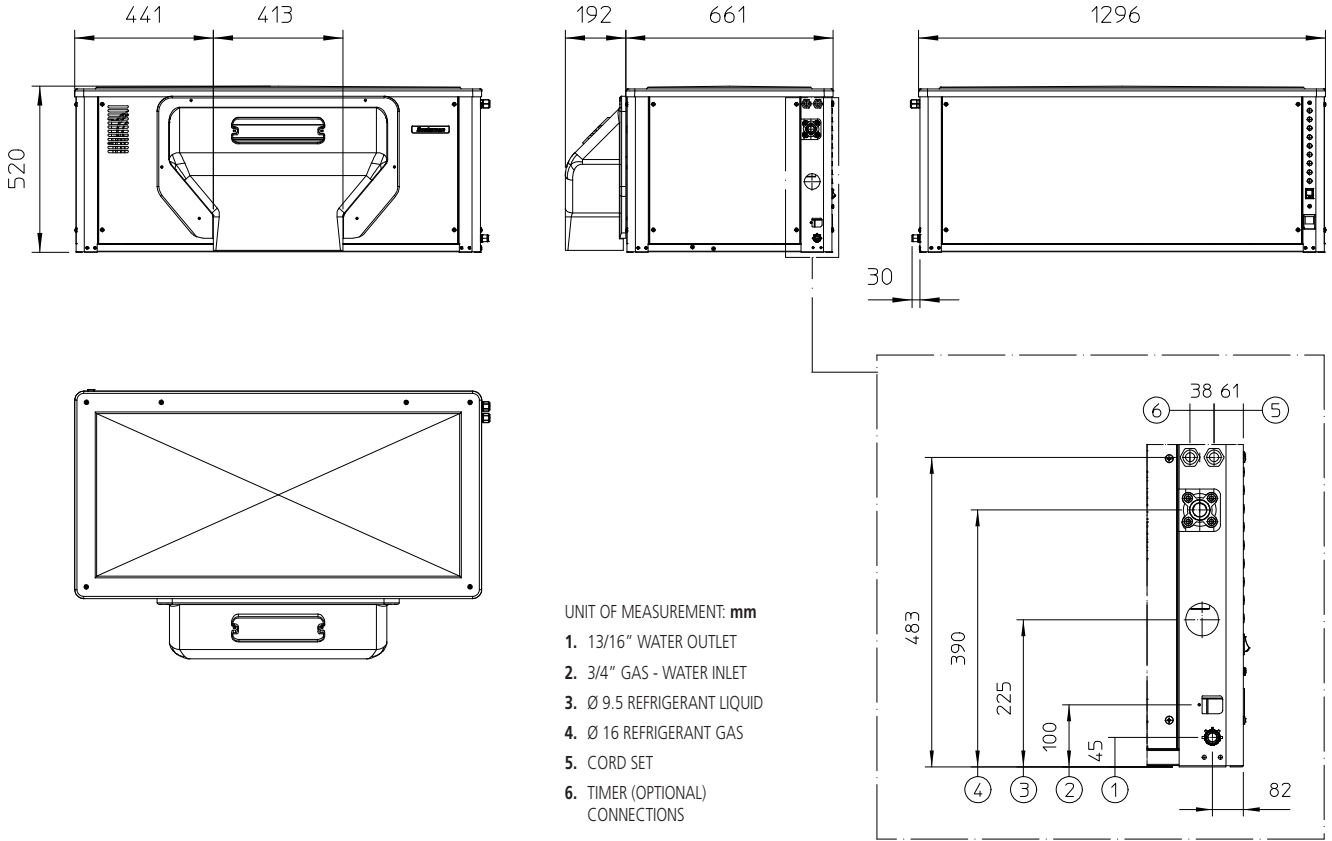
[www.scotsman-ice.it](http://www.scotsman-ice.it)  
[www.scotsman-ice.com](http://www.scotsman-ice.com)

Modular Ice Machine 1850 kg

# MAR 208

## Modular Ice Machine 1850 kg

Item #:
Project:
Quantity:



Modular Ice Machine 1850 kg

UNIT DATA		SHIPPING DATA		All data refer to R404A refrigerant models										
Size (W x D x H)	1326 x 853 x 520 mm	Carton (W x D x H)	1410 x 790 x 680 mm											
Net weight	175 kg	Weight	199 kg											
		24 h ice production kg °C Amb. / °C Water						Energy consumption (*)		Water usage (*)	Instant power	Compressor	Circuit wires	Max. fuse size
Version	Voltage	10°C/10°C		21°C/10°C		32°C/21°C		kWh/100 kg	kWh/24h	l/h	W	W	No. x Ømm²	A
		1 mm	2 mm	1 mm	2 mm	1 mm	2 mm							
MAR 208 SPLIT	400/50/3N	1850	1650	0	0	0	0	1.2	9.6	54.2	395	9850	5 x 2.5	10
MAR 208 SPLIT	230/60/1	0	0	0	0	0	0	1.2	9.6	54.2	395	9850	3 x 2.5	10
Compressor:		(Te -20.0°C; Tc +40.0°C)												

(\*) Data refer to 32°C Amb. / 21°C Water temperature conditions